



INSTALLATION INSTRUCTIONS 1964-1/2 to 1970 MUSTANG REAR 4-LINK KIT

Please read these instructions *completely*
before starting your installation.
Remember the basic rule for a successful installation:
Measure Twice, Weld Once.

For questions on installations please call 800-841-8188 In Illinois (847) 487-0150



- 1.) Jack up the car and support it on sturdy jack stands. Remove the drive shaft, e-brake cables and rear axle assembly including leaf springs and shocks. If the brakes will be reused, the lines can be left connected to the backing plates depending on what type of axle will be used. Remove the rear section of the exhaust system.
- 2.) Assemble the top crossmember with the end saddles using the 1/2" bolts and nuts supplied, as shown in **Figure 1**. Leave the bolts loose, as the width will need to be adjusted to fit the frame rails. Install the top crossmember assembly up onto the frame rails under the floor, see **Figure 2**. Be certain that the bottom of the "U" channel is firmly seated against the bottom of the subframe rail. The crossmember is oriented with the Panhard bracket on the passenger side, and is located with the back edge 16-3/8" from the center of the rear spring shackle hole, as shown in **Figure 3**. It may need some trimming of the front edge to get it into that location, as the placement of the bottom out snubber brackets on the frame rails varies from the factory. Drill the 1/2" dia. holes through the factory frame rails using the crossmember end saddles as templates and bolt securely in place. Tighten the bolts holding the crossmember to the end saddles.
- 3.) Install the front link brackets next. They are inserted in the front leaf spring pockets on the front factory frame rails, and locate using the front holes on the front leaf spring mounts, see **Figure 3**. Drill 1/2" holes through the factory frame rails and bolt the sides of the front mounts using the reinforcement plates in the inner side of the rails. See **Figure 3**. For 67-70 models only, make sure to install the 1-3/4" x 1-1/4" spacer through the large hole into the inside of the factory frame rail. Secure with 1/2" bolt. See **Figure 6**.
- 4.) If you are installing the 4-link and Panhard brackets on your own housing, they are located 43-1/4" apart. They are centered equal distance from the outer ends of the housing. See **Figure 4**. The Panhard bracket is positioned as shown in **Figures 4 & 5**. If you purchased an axle housing from HEIDTS, the brackets are already installed with a 2° down pinion angle. You can then fine tune the angle to match your engine. See **Figure 5**.
- 5.) Install the link bars with the adjusters to the rear into the mounts in the front frame brackets. Position the rear axle housing in place and install the bars into the brackets on the housing. Use the 5/8-18 bolts and nuts included. Assemble the coil springs onto the shock assemblies and install them into the upper mounts using the 5/8-18 x 2-3/4" bolts and nuts, and onto the housing using the 5/8-11 x 7" bolts, spacers and nuts supplied. Now install the Panhard Bar using the 1/2-13 bolts and nuts supplied. Adjust the Panhard Bar to center the housing. Adjust the link bars. The upper bars will position the housing, and the lower ones will set the pinion angle. See **Figure 6**.

For questions on installations please call 800-841-8188 In Illinois (847) 487-0150



- 6.) Install the 3rd member, then install the axles and brakes. Connect the brake lines and bleed the brakes and then install the drive shaft and emergency brake cables.



Figure 1- Top Crossmember Assembly

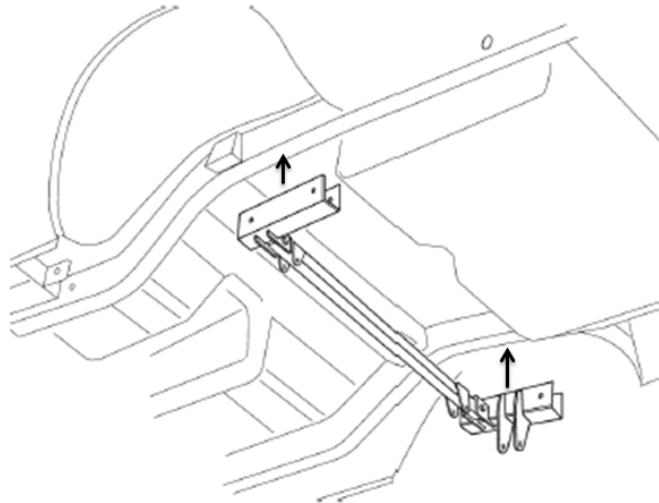


Figure 2- Top Crossmember Install

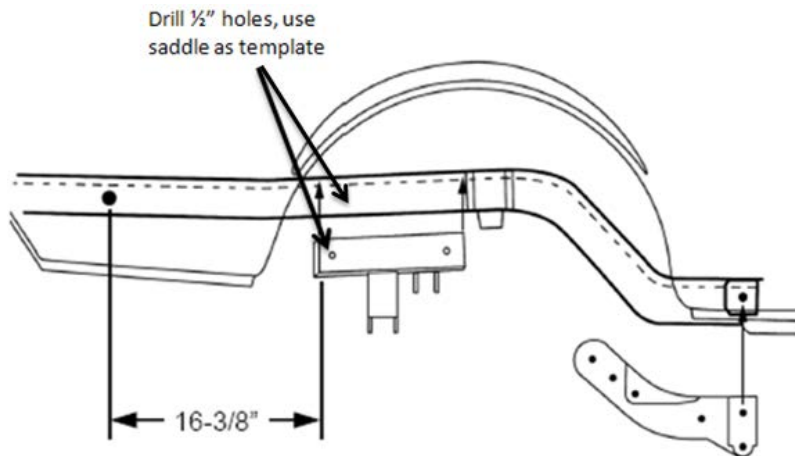


Figure 3- Front Link Bracket Install

For questions on installations please call 800-841-8188 In Illinois (847) 487-0150



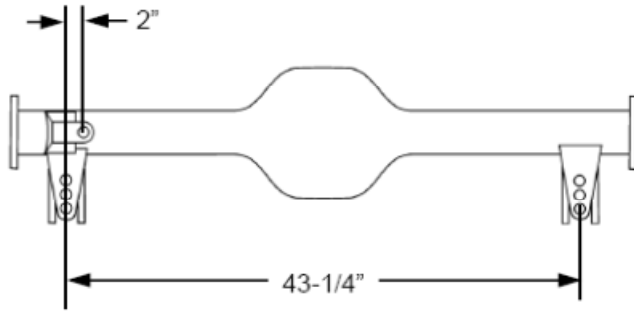


Figure 4- Panhard Bracket location

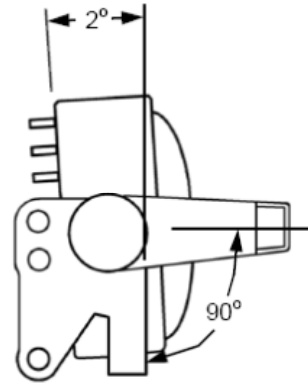


Figure 5- Pinion Angle

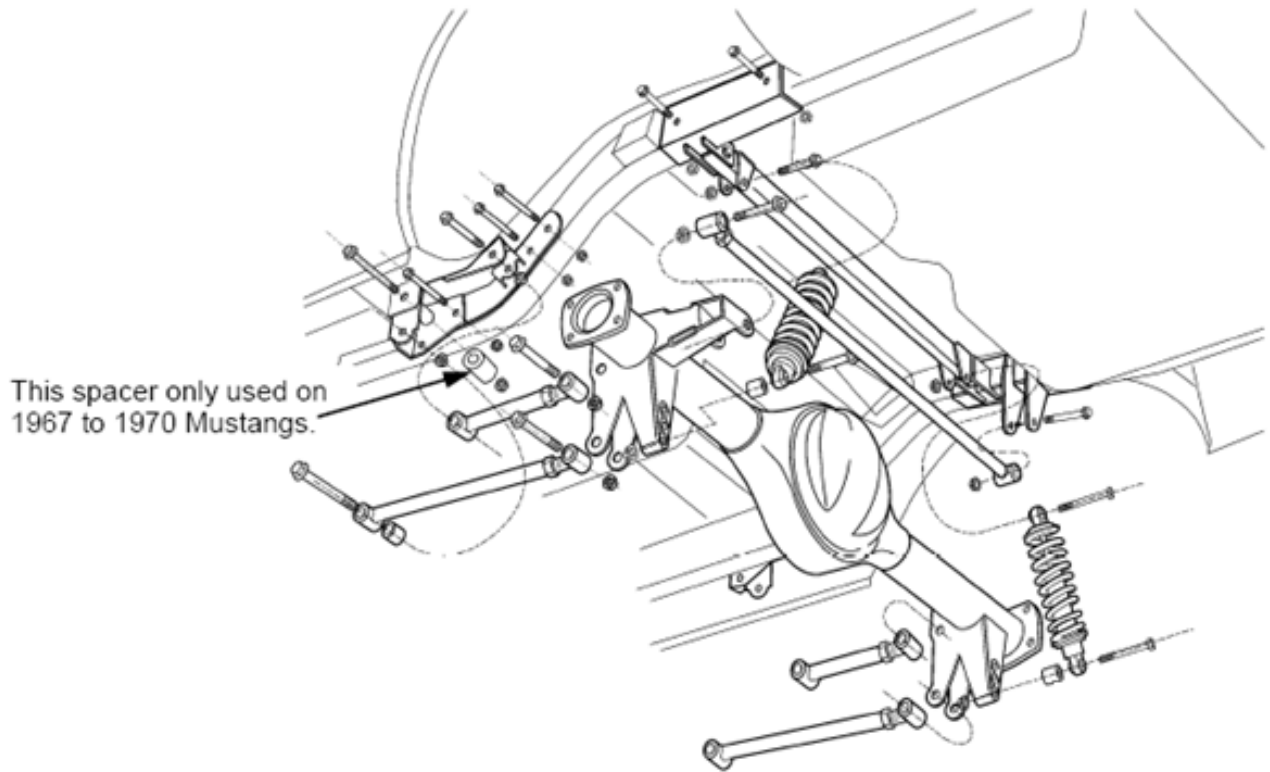


Figure 6- Upper & Lower Links, & Panhard Install

For questions on installations please call 800-841-8188 In Illinois (847) 487-0150

