



INSTALLATION INSTRUCTIONS 1964-1/2 to 1970 MUSTANG REAR 4-LINK KIT

Please read these instructions *completely*
before starting your installation.
Remember the basic rule for a successful installation:
Measure Twice, Weld Once.

For questions on installations please call 800-841-8188 In Illinois (847) 487-0150



- 1.) Jack up the car and support it on sturdy jack stands. Remove the drive shaft, e-brake cables and rear axle assembly including leaf springs and shocks. If the brakes will be reused, the lines can be left connected to the backing plates depending on what type of axle will be used. Remove the rear section of the exhaust system.
- 2.) Position the top crossmember 5-5/8" to the rear of the angled brace that was welded in with the new frame rail section as shown in **Figure 1**. Tack weld in place. Position the panhard bar bracket along the passenger rear frame rail 8-7/8" to the rear of the same angled brace used to measure for the crossmember. Tack weld in place.
- 3.) Install the front link brackets next. They are inserted using the front leaf spring bolt hole to the inside of the front factory frame rails, see **Figure 3**. Drill 1/2" holes through the factory frame rails and bolt the sides of the front mounts using the reinforcement plates in the inner side of the rails. See **Figure 3**. For 67-70 models only, make sure to install the 1-3/4" x 1-1/4" spacer through the large hole into the inside of the factory frame rail. Secure with 1/2" bolt. See **Figure 6**.
- 4.) If you are installing the 4-link and Panhard brackets on your own housing, they are located 31.6" apart. They are centered equal distance from the outer ends of the housing. See **Figure 4**. The Panhard bracket is positioned as shown in **Figures 4 & 5**. If you purchased an axle housing from HEIDTS, the brackets are already installed with a 2° down pinion angle. You can then fine tune the angle to match your engine. See **Figure 5**.
- 5.) Install the link bars with the adjusters to the rear into the mounts in the front frame brackets. Position the rear axle housing in place and install the bars into the brackets on the housing. Use the 5/8-18 bolts and nuts included. Assemble the coil springs onto the shock assemblies and install them into the upper mounts using the 5/8-18 x 2-3/4" bolts and nuts, and onto the housing using the 5/8-11 x 7" bolts, spacers and nuts supplied. Now install the Panhard Bar using the 1/2-13 bolts and nuts supplied. Adjust the Panhard Bar to center the housing. Adjust the link bars. The upper bars will position the housing, and the lower ones will set the pinion angle. See **Figure 6**. After verifying the correct installation, fully weld in the shock mount crossmember and panhard bracket.
- 6.) Install the 3rd member, then install the axles and brakes. Connect the brake lines and bleed the brakes and then install the drive shaft and emergency brake cables.

For questions on installations please call 800-841-8188 In Illinois (847) 487-0150





Figure 1- Top Crossmember Assembly

For questions on installations please call 800-841-8188 In Illinois (847) 487-0150





Figure 2- Panhard bar bracket

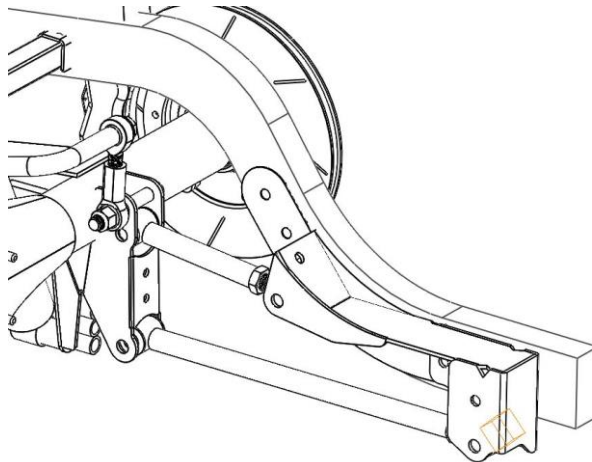


Figure 3- Front Link Bracket Install

For questions on installations please call 800-841-8188 In Illinois (847) 487-0150



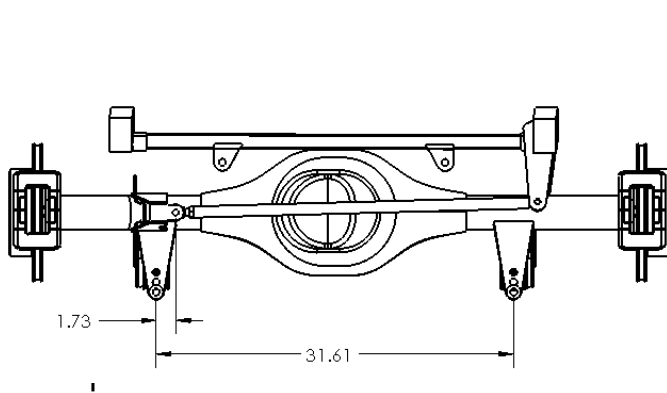


Figure 4- Panhard Bracket location

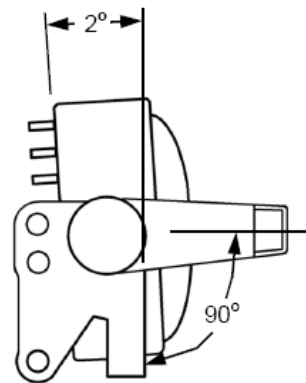


Figure 5- Pinion Angle

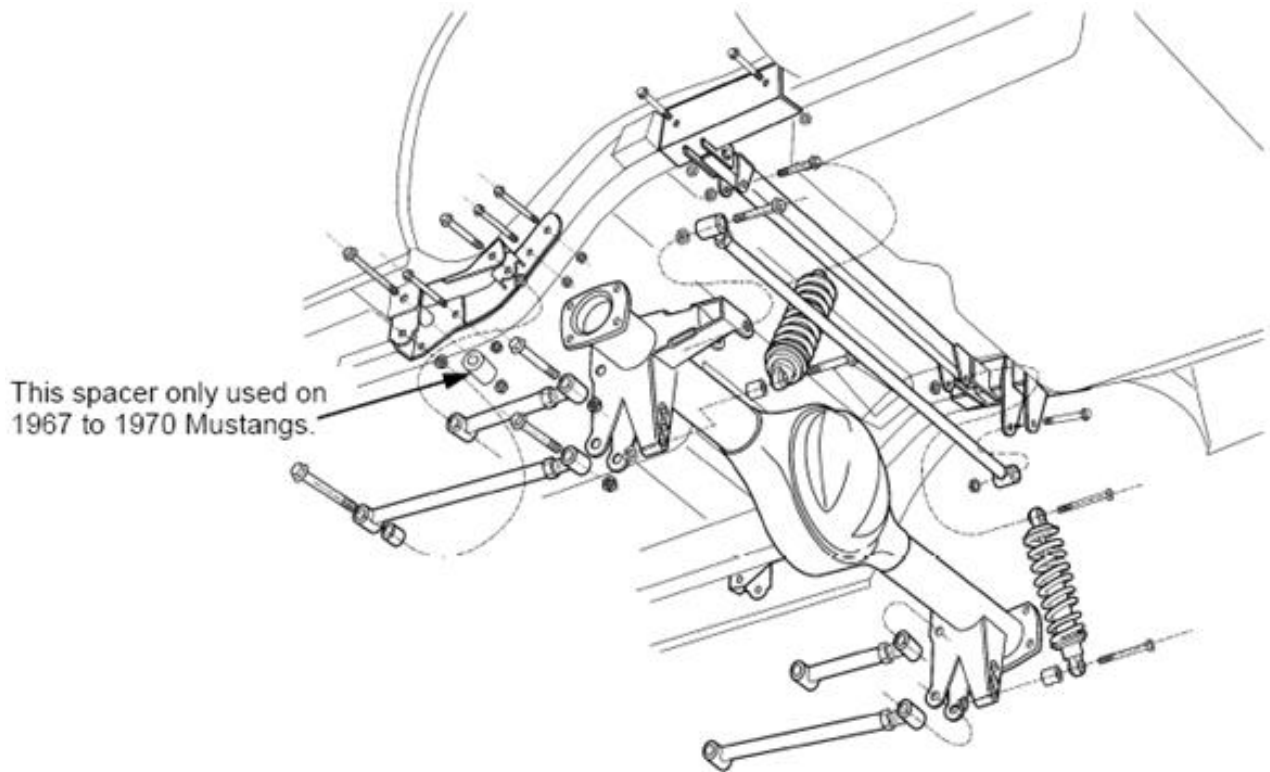


Figure 6- Upper & Lower Links, & Panhard Install

For questions on installations please call 800-841-8188 In Illinois (847) 487-0150

