

HEIDTS

INSTALLATION INSTRUCTIONS 1970-1981 CAMARO REAR 4-LINK KIT

Please read these instructions *completely* before starting your installation. Remember the basic rule for a successful installation:
Measure Twice, Weld Once.

For questions on installations please call 800-841-8188 In Illinois (847) 487-0150



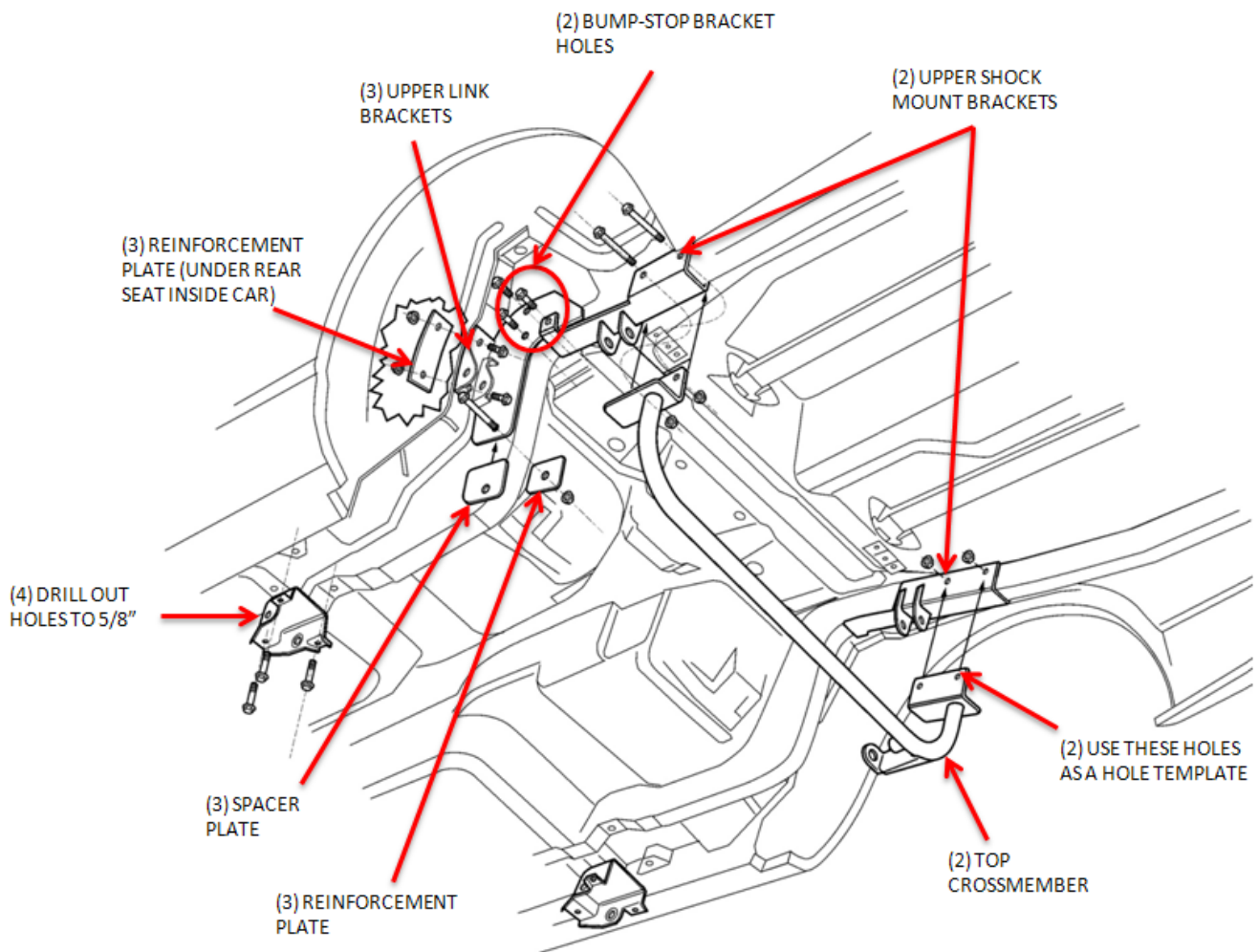
- 1.) Start your installation by removing the rear seat. (The reinforcement plates for the upper 4-link brackets are bolted in under the rear seat.) Jack up the car and support it on sturdy jack stands. First remove the drive shaft, e-brake cables and rear axle assembly including leaf springs and shocks. If the brakes will be reused, the lines can be left connected to the backing plates depending on what type of axle will be used. Remove the rear section of the exhaust system. Also remove the front leaf spring mounts, as they will be modified and reused. Lastly, remove the bump stop mounts from the frame.
- 2.) Install the top crossmember and upper shock mounts up into the frame rails under the floor. The crossmember locates using the holes from the bump stop brackets. The U-channel must be firmly seated against the bottom of the subframe rail. Drill the 1/2" dia. holes through the factory frame rails using the crossmember end plates as templates and bolt securely in place. See **Figure 1**.
- 3.) Install the upper link brackets next. They locate using the front holes on the crossmember plates' factory frame rails. Drill through the floor and using the reinforcement plates inside the car, under the seat, sandwich the floor pan and bolt in place. Then drill 1/2" holes through the factory frame rails, and bolt the sides of the front mounts (using the spacer plates on the lower bolts and the reinforcement plates in the inner side of the rails) see **Figure 1**.
- 4.) Next, the holes in the existing factory front leaf spring mounts need to be drilled out to 5/8" dia. for the front 4-link bolts. Once they are drilled, they can be installed and bolted back in place, see **Figure 1**.
- 5.) If you purchased a complete rear axle housing with the brackets all ready installed, you can install it now. If you are installing the brackets on your own housing, note that the bottom brackets locate the top brackets as well as the Panhard bar. The coil-over brackets are located 45" apart. They are centered equal distance from the outer ends of the housing, see **Figure 2**.
- 6.) Position the rear axle housing in place and install the links into the brackets on the housing. Install the 5/8-18 bolts and nuts hand tight. Assemble the coil springs onto the shock assemblies and install them into the upper mounts using the 5/8-18 x 2-3/4 bolts and nuts, and onto the housing using the 5/8-11 x 7 bolts, spacers and nuts supplied, and tighten down. Now install the Panhard Bar using the 1/2-13 bolts and nuts supplied, (keep it hand tight so the Panhard can be adjusted) as shown in **Figure 4**.
- 7.) Install the brakes, wheels/tires onto the axle and lower the car down onto level ground. Adjust the coilovers to set the desired ride height. Now, with the car on level ground,

For questions on installations please call 800-841-8188 In Illinois (847) 487-0150



adjust the Panhard bar until the axle is centered on the car. This can be measured at the wheel/fender lip surfaces or between the frame rail and fender lip.

- 8.) Adjust the link bars evenly to prevent the suspension from binding up. The upper bars will position the housing, and the lower ones will set the pinion angle. The pinion angle should be set with a 2° down angle, see **Figure 3**. You can fine tune the pinion angle to match your engine with the lower links. Double check all angles, then tighten down all bolts and nuts, including jam nuts.
- 9.) Install the bump stop rubbers onto the crossmember mounts. Connect the brake lines and bleed the brakes and then install the drive shaft and emergency brake cables.



NOTE: NUMBER BEFORE DESCRIPTION CORRESPONDS TO STEP NUMBER

Figure 1- Upper Bracket and Crossmember Install

For questions on installations please call 800-841-8188 In Illinois (847) 487-0150



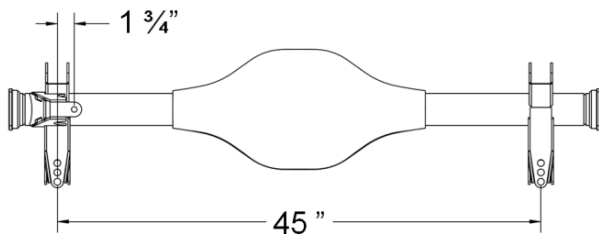


Figure 2- Axle Bracket Locations

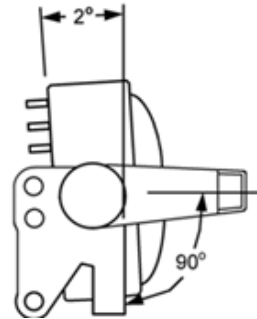


Figure 3- Panhard bracket and Pinion Angles
(Viewed from Driver Side)

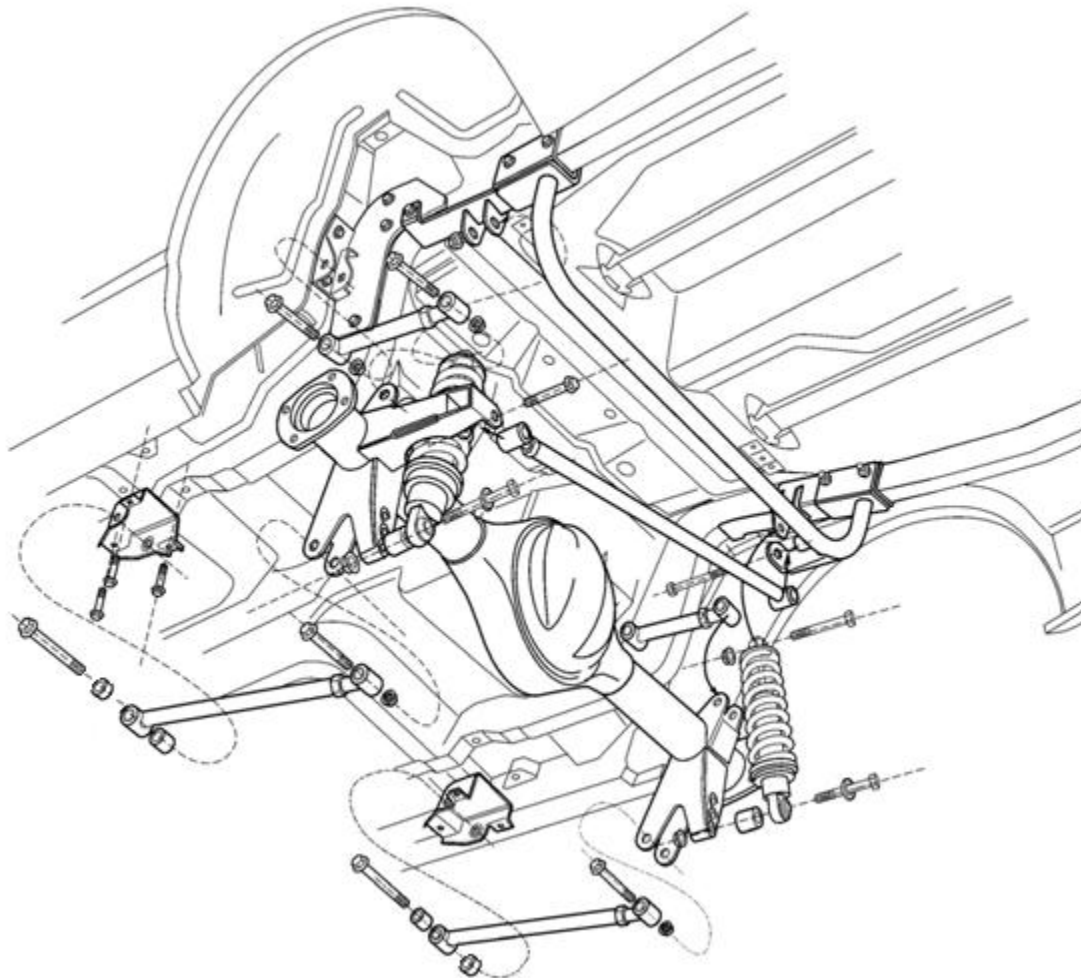


Figure 4- Rear Axle and Panhard bar Installation

For questions on installations please call 800-841-8188 In Illinois (847) 487-0150

