

Installation Instructions

COIL-OVER UPPER CROSSMEMBER

*Please read these instructions completely
BEFORE starting your installation!*

Begin your installation of your Coil-Over Upper Crossmember by first installing your rear suspension kit, either a parallel 4-link or triangulated 4-link kit per it's instructions. Next trim the length of the Crossmember to fit within the boxed frame rails behind the axle housing as shown in Figure 1, taking care to keep the shock holes equal distant from both ends of the Crossmember. Locate the front face of the Crossmember 4-1/2" rearward of the axle housing centerline. Center it vertically on the frame rail, and set it level front to rear. The front surface should be parallel to the rear surface of the lower coil-over axle brackets on the housing. Tack in place, and trial fit the coil-over shocks, using a Coil-Over Shock Hardware Kit. You may have to adjust the location of the Crossmember slightly in order to line up the Coil-Overs properly. Check floor pan clearance. If all is correct, weld in place. Final welding should be done by a qualified welder.

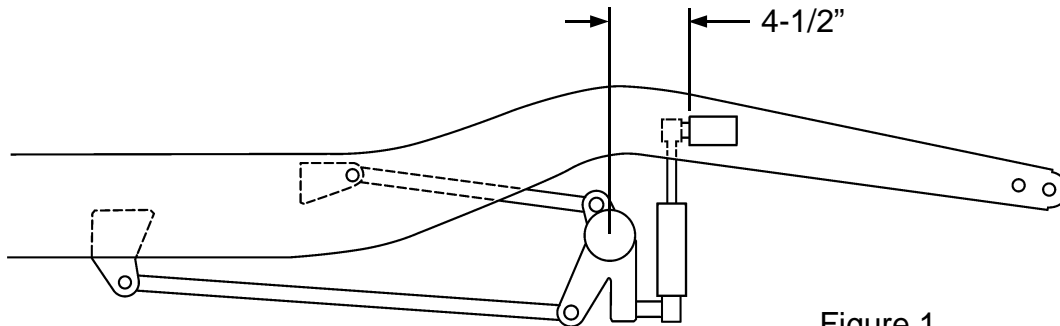


Figure 1

