

# Installation Instructions

## 1928-1931 FORD Upper Coil-Over Mounts

*Please read these instructions completely **BEFORE** starting your installation!*

(NOTE: Coil-over Shocks and Hardware are Optional)

Begin by positioning the upper coil-over shock mounts centered on the rear crossmember at the 33-1/2" dimension as shown in Figure 1. Tack weld in place. Position the axle housing in the frame and install with previously installed 4-link kit. Install the coil-overs onto the mounts and axle housing brackets using the optional coil-over installation kit. Check the alignment of the coil-overs to the rear axle housing, as shown in Figure 2. If all is correct, remove the coil-overs and finish weld all brackets. Final welding should be performed by a qualified welder.

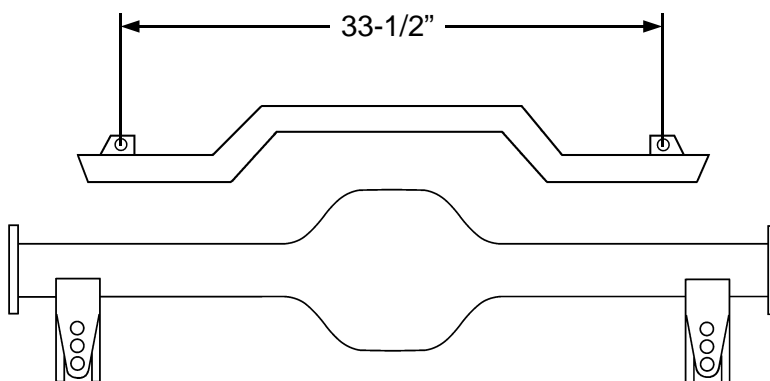


Figure 1

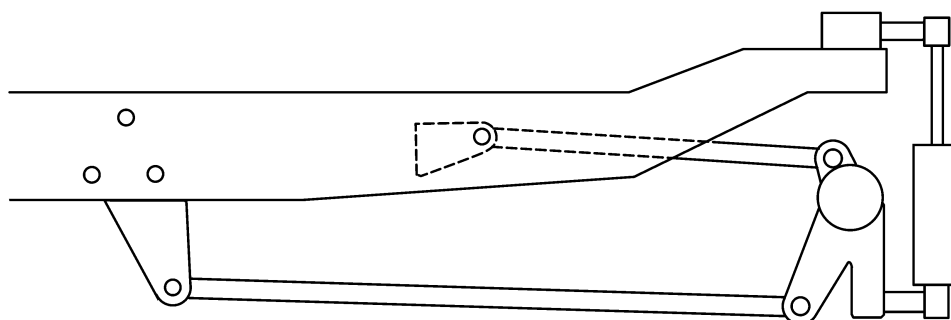


Figure 2

