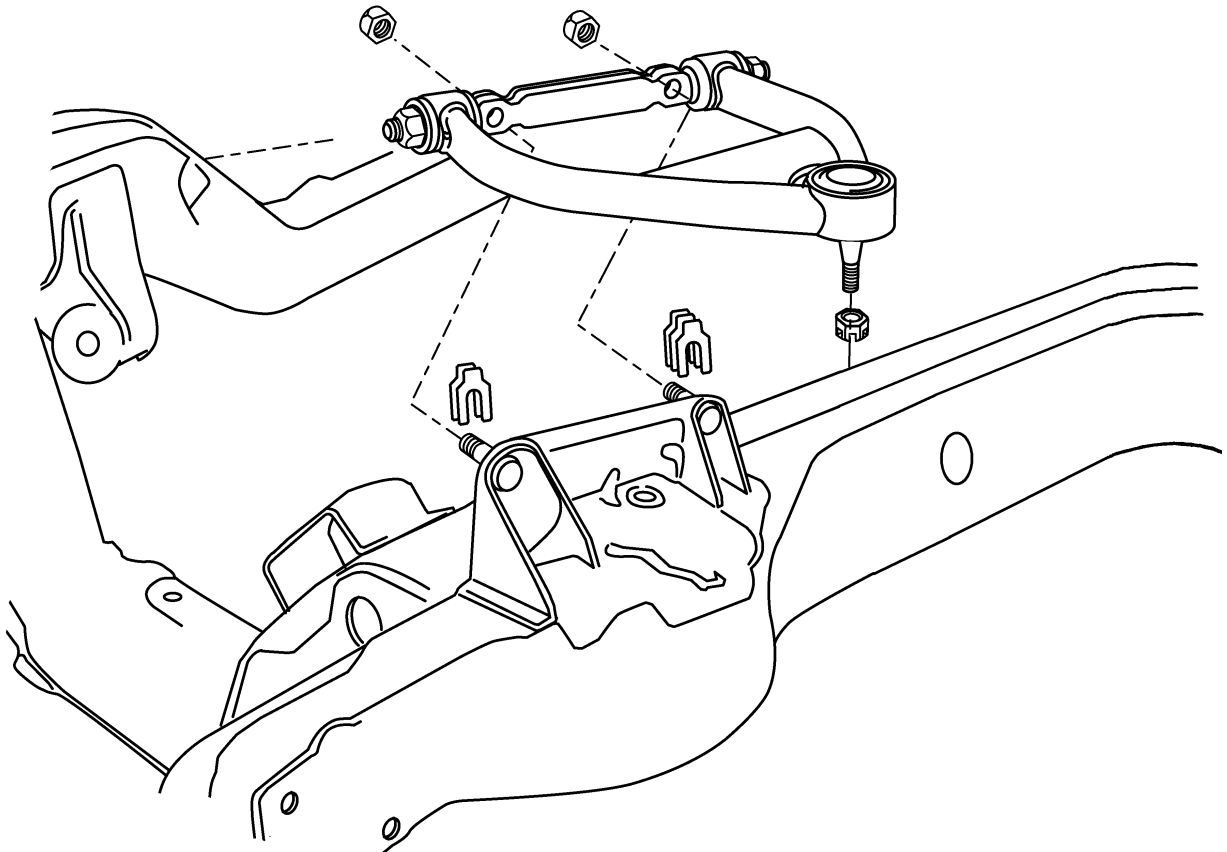


Installation Instructions

1970-1981 CAMARO TUBULAR UPPER CONTROL ARMS

*Please read these instructions completely **BEFORE** starting your installation!*

Begin your installation by jacking up the front of the car and supporting it on sturdy jack stands. Remove the front wheels. Raise one side of the suspension with a floor jack. Remove the cotter pin and castle nut from the upper ball joint and loosen the ball joint from the spindle. Support the hub assembly, and remove the ball joint from the spindle. Remove the alignment nuts from the frame and remove the upper arm, keeping the shims in place. Place the new *HEIDTS* Tubular Arm on the upper arm mount and install the shims and nuts. Insert the ball joint into the spindle. Tighten down with the castle nut and insert the cotter pin. Release the jack and complete the installation on the other side of the car. Be certain to grease the ball joints upon completion. You will need to check the alignment of the front suspension, as the new cross shafts have an offset built into them to provide more caster and camber adjustment. If you have had trouble achieving correct alignment in the past, the front end should be fully alignable now.



HEIDTS
HOT ROD & MUSCLE CAR PARTS