

Installation Instructions

1962-1967 Chevy NOVA SWAY BAR

*Please read these instructions completely
BEFORE starting your installation!*

Your *HEIDTS* Hot Rod Shop NOVA SWAY BAR contains the following items:

- 1) Sway Bar
- 2) Rubber Mounts
- 2) U-Brackets
- 2) U-Bolts
- 4) Hex Nuts & Lock Washers
- 1) End Link Kit

To install your Sway Bar for your Nova Sub-Frame, drill two 7/16" dia. holes in the underside of each rail as shown in Figure 1. Install the U-bolts to mount the sway bar up into the frame by inserting the U-bolt up through one of the 7/16" holes, the across and down through the other one. Slip the bushings and mounting brackets onto the sway bar and attach the sway bar to the rails. Attach the links to the ends of the sway bar and to the lower control arms as shown in Figure 2. Use the SB-012 Bracket Kit from *HEIDTS* for Tubular Arms, use the SB-010 Bracket Kit for Economy Arms.

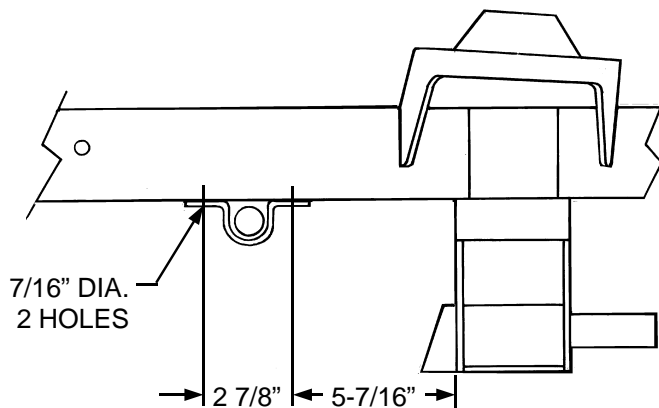


Figure 1

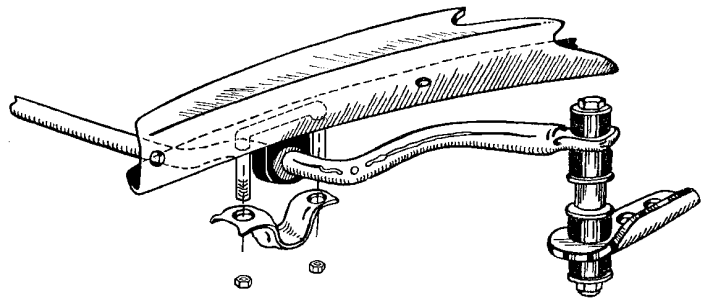


Figure 2

