

Installation Instructions

SUPERIDE II Pick-Up Stabilizer Bar

*Please read these instructions completely
BEFORE starting your installation!*

Parts List:

- | | |
|----------------------|------------------------|
| 1) Stabilizer Bar | 4) 1/4-20x2-1/4" Bolts |
| 2) Mounting Blocks | 4) 1/2-20x1-1/4" Bolts |
| 2) Urethane Bushings | 2) Rod Ends, Female |
| 2) Locking Collars | 2) 1/2-20 Jam Nuts |
| 2) Rod Ends, Male | 4) 1/4-20 Rivet Nuts |

The Stabilizer Bar bolts onto the rear of the SUPERIDE II crossmember. You will need to drill four holes using the dimensions provided and install the supplied Rivet Nuts. It is advisable to install them in the crossmember before it is installed. Layout the holes on the back side of the crossmember as shown in **Figure 1**. Drill the holes using a #Q (.332) dia. drill. Insert a Rivet Nut, assembled with a separate 1/4-20 bolt, two washers, and a nut (not supplied) into the hole as shown in **Figure 2**. Grease the washers so they will turn freely on each other and grease the nut so it turns freely on the bolt. Turn the nut down, holding the bolt head from turning, to draw up the Rivet Nut, as shown in **Figure 3**. Do not turn the bolt in the Rivet Nut to do this as it will damage the threads in the nut. Remove the bolt assembly and install the other three Rivet Nuts. Assemble the mounting blocks, bushings, and collars onto the bar in that order, so the collars are against the flanges of the bushings. It is easier to slide the blocks and bushings onto the bar separately and then press the bushings into the blocks. Install the bar assembly onto the crossmember using the bolts provided. See **Figure 4**. Assemble the rod ends to 3-1/2" center to center length with the 1/2-20 jam nuts on the male rod ends. Attach the male rod end to the lower control arms using the two 1/2-20x1.25" bolts provided. Next attach the female end to the sway bar using the two 1/2-20x1.25" bolts into the ends of the sway bar, see **Figure 5**. Lower the truck onto the ground and check that it sits level.

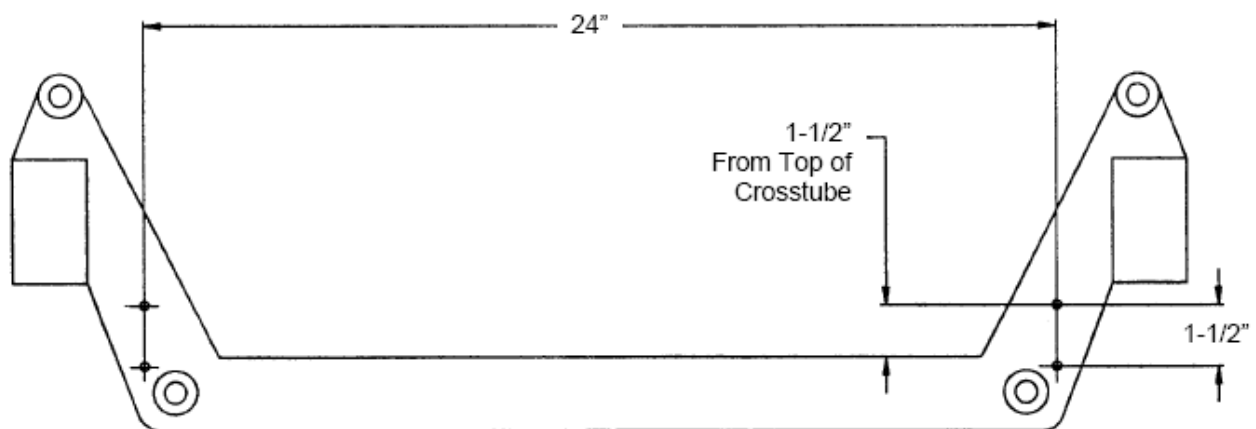


Figure 1- Hole Locations

For questions on installations please call 800-841-8188 In Illinois (847) 487-0150



Grease Here

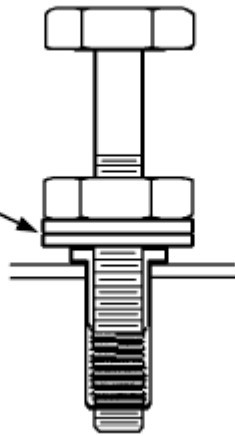


Figure 2- Rivet Nut

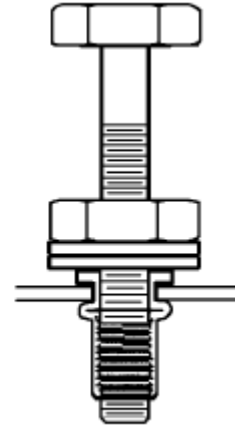


Figure 3- Rivet Nut

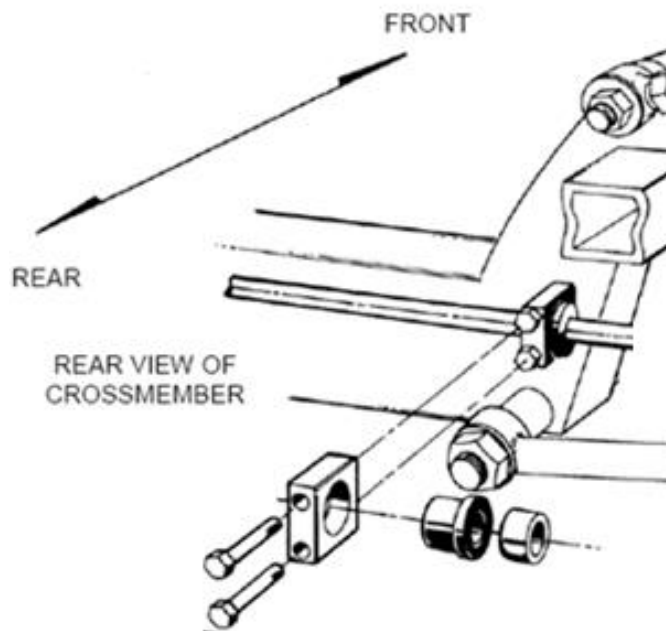


Figure 4- Install Stabilizer bar Mounting Blocks

For questions on installations please call 800-841-8188 In Illinois (847) 487-0150





Figure 5- Install Stabilizer Bar

For questions on installations please call 800-841-8188 In Illinois (847) 487-0150

