

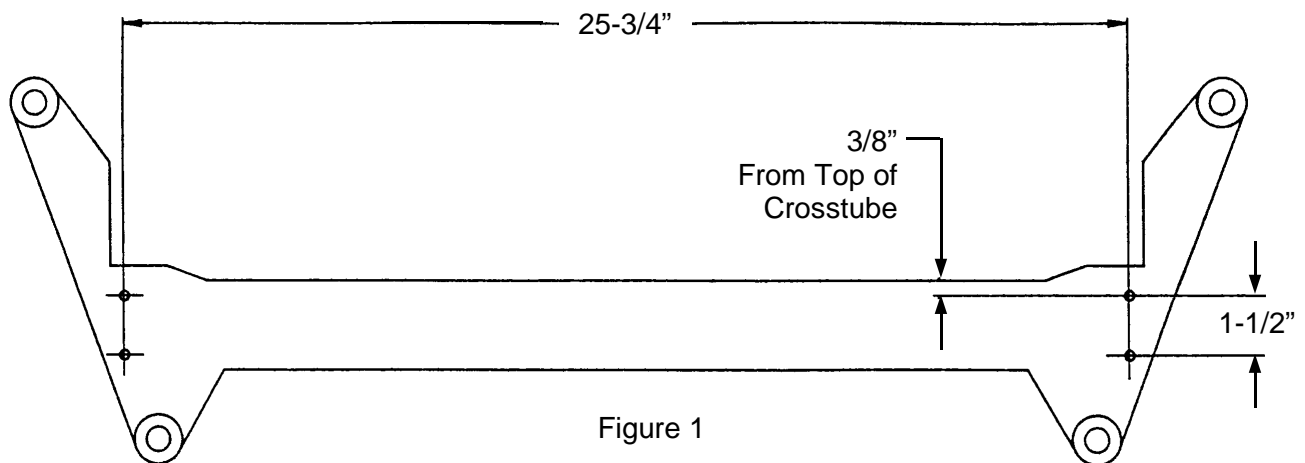
Installation Instructions SUPERIDE Stabilizer Bar

*Please read these instructions completely
BEFORE starting your installation!*

Your *HEIDTS* Hot Rod Shop Stabilizer Bar contains the following items:

- | | |
|----------------------|--------------------------|
| 1) Stabilizer Bar | 2) Rod Ends, Female |
| 2) Mounting Blocks | 4) 1/4-20 x 2-1/4" Bolts |
| 2) Urethane Bushings | 2) 1/2-20 x 1" Bolts |
| 2) Locking Collars | 2) 1/2-13 x 7-1/2" Bolts |
| 2) Spacers | 2) 1/2-20 Jam Nuts |
| 2) Rod Ends, Male | 4) 1/4-20 Rivet Nuts |

The Stabilizer Bar bolts onto the rear of the SUPERIDE crossmember. You will need to drill four holes using the dimensions provided and install the supplied Rivet Nuts. It is advisable to install them in the crossmember before it is installed. Layout the holes on the back side of the crossmember as shown in Figure 1. Drill the holes using a #Q (.332) dia. drill. Insert a Rivet Nut, assembled with a separate 1/4-20 bolt, two washers, and a nut (not supplied) into the hole as shown in Figure 2. Grease the washers so they will turn freely on each other and grease the nut so it turns freely on the bolt. Turn the nut down, holding the bolt head from turning, to draw up the Rivet Nut, as shown in Figure 3. Do not turn the bolt in the Rivet Nut to do this as it will damage the threads in the nut. Remove the bolt assembly and install the other three Rivet Nuts. Assemble the mounting blocks, bushings, and collars onto the bar in that order, so the collars are against the flanges of the bushings. It is easier to slide the blocks and bushings onto the bar separately and then press the bushings into the blocks. Install the bar assembly onto the crossmember using the bolts provided. Support the lower control arms and remove the lower coil-over bolts. Assemble the rod ends to 3-1/2" center to center length with the 1/2-20 jam nuts on the male rod ends. Attach the male rod end to the lower control arms using the 1/2-13x7-1/2" bolts and spacers provided. Next attach the female end to the sway bar using the 1/2-20x1" bolts into the ends of the sway bar. Lower the car onto the ground and check that it sits level.



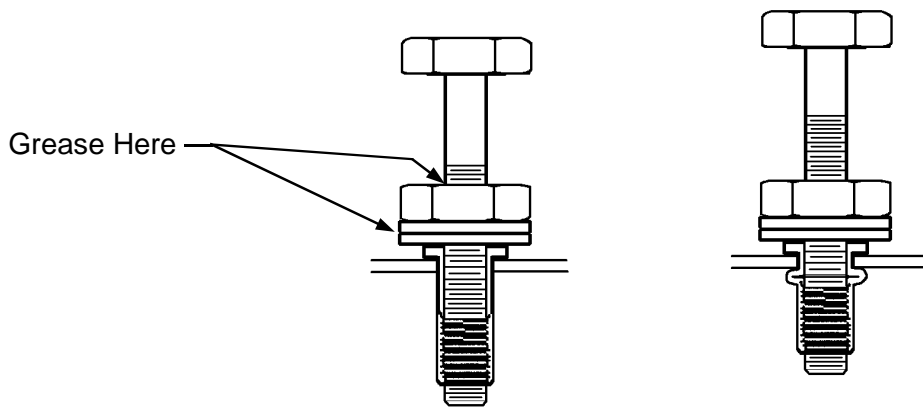


Figure 2

Figure 3

