

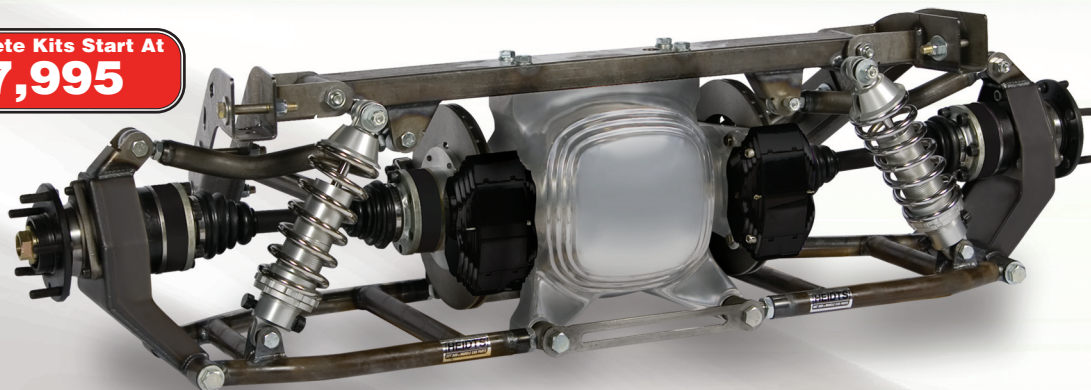
HEIDTS
HOT ROD & MUSCLE CAR PARTS

ENGINEERED PERFORMANCE
FOR TWENTY FIVE YEARS

NEW! **HEIDTS PRO-G IRS**

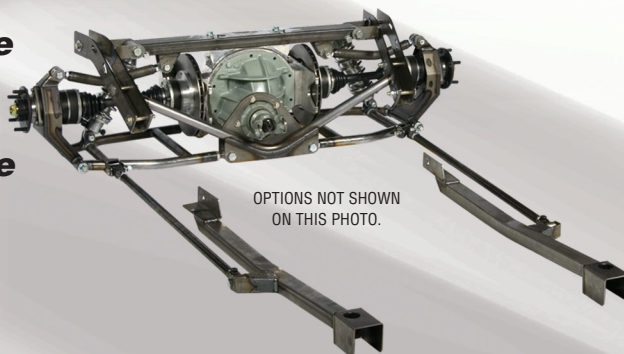
HIGH HORSEPOWER INDEPENDENT REAR SUSPENSION

Complete Kits Start At
\$7,995



“About once every ten years, someone comes up with a breakthrough part in the aftermarket. The HEIDTS Bolt-in Independent Rear suspension could be that part for 2011 and beyond”

Quoted from Jim Campisano – Editor
Super Chevy Magazine, January Issue



OPTIONS NOT SHOWN ON THIS PHOTO.

WHY HEIDTS PRO-G IRS

Do you really want to go fast and out-handle everyone else on the autocross or road race course in your first generation camaro? Full independent rear suspension is the only way to go. **HEIDTS Hot Rod & Muscle Car Parts** now has a High Horsepower Independent Rear Suspension bolt-In Package that will do the job just fine.

It is a true high horsepower package, with upper links and heavy duty CV joints. The upper link produces -.5° of camber curve at 3/4 of bump, especially during very high cornering loads. Forward struts, attached to the sub-frame connectors insures the wheels stay in place during hard acceleration.

NOT INTENDED FOR DRAG RACING.

WHAT YOU GET:

*Subframe Connectors Required.

- 9" Alumin HSG.
- 3rd Member, Iron, Posi
- CV Joint Halfshafts
- Tubular Upper & Lower Arms
- Steel Outer Uprights
- Top Crossmember
- Frame Mounting Brackets
- Front Pinion Support
- Forward Struts*
- 10.5" Wilwood Rotors
- Black Wilwood Calipers
- Billet Single Adjustable Coil-Overs with Chrome Springs
- Posi-Traction

OPTIONS:CALL FOR DETAILS.

- Double-Adj. Coil-Over Shocks
- Parking Brake Kit and Cable Kit
- Choice of Gear Ratios

CALL OR CLICK FOR A FREE 68 PAGE CATALOG...
TOLL FREE 1-855-843-4477 • FAX 1-847-487-0156

111 Kerry Lane, Wauconda, IL 60084

heidts.com



HEIDTS
HOT ROD & MUSCLE CAR PARTS

